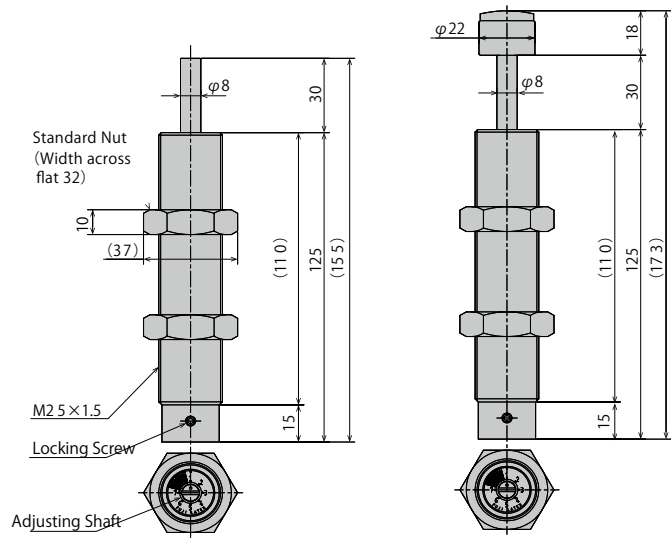


# Soft Absorber

## FA-2530G/FA-2530SL Series



### Specifications

Model	Stroke mm	Max. absorption energy J (kgf·m)	Max. equivalent mass kg (kgf)	Range of impact rate m/s	Orifice type
FA-2530G1-S	30	49 (5.0)	400 (400)	0.3~1	Single-orifice type
FA-2530G1-C					Multiple-varying orifice type
FA-2530G2-S		58.8 (6.0)	300 (300)	0.3~2	Multiple-varying orifice type
FA-2530G2-C					Multiple-orifice type
FA-2530G3-S					Multiple-orifice type
FA-2530G3-C		49 (5.0)	4,150 (4,150)	0.05~0.5	Multiple-varying orifice type
FA-2530SL-S					Multiple-varying orifice type
FA-2530SL-C					

Note) To place an order without a cap, put -S at the end of the model number, and to place an order with a cap, put -C at the end of the model number.

### Common Specifications

Max. drag	N (kgf)	6,370 (650)	Operating temperature	°C	-5~70
Max. cycle rate	cycle/min	60	Mass : S type	g	388
Max. absorption energy per minute	J/min (kgf·m/min)	490 (50)	: C type	g	418
Recovering power of the piston rod	N (kgf)	30.8 (3.14) or lower			

Note) M2.5 X 2.0 is also available as the main unit's screw pitch specifications for the FA-2530 series. Please your order using the model number FA-2530G\*-S-P2.0 or FA-2530G\*-C-P2.0, pitch specifications for the FA-2530 series. Please your order using the model number FA-2530G\*-S-P2.0 or FA-2530G\*-C-P2.0.

### Selection Guideline

The FA-2530 series has the following three patterns of absorption characteristics depending on the orifice type. Please use the following information as a guideline when making your selection.

Orifice type	Single-orifice type	Multiple-varying orifice type	Multiple-orifice type
Model number	FA-2530G1 series	FA-2530G2 series	FA-2530G3 series
Application	For low-speed	For medium speed, in particular with a pneumatic cylinder	For high-speed
Absorption characteristics			

\* The super low speed models are applicable for a lower collision speed range than low speed models.

### Precautions for Use

- \* Do not use this product without carefully reading the attached owner's manual.
- \* Ensure that an external stopper (Stopper nut OP-020GB) is also used.
- \* Do not turn the oil inlet screw located at the bottom of the main unit.
- \* Ensure that sufficient mounting strength is secured for this product. (As a guideline, it should be 2 to 3 times the maximum drag listed in the catalogue.)
- \* Do not use this product in a vacuum or a location where it may come in contact with oil.
- \* Ensure that an eccentric load is not applied to the soft absorber (Allowable eccentric angle: within  $\pm 2.5^\circ$ )

### Adjustment Method

- \* To adjust, turn the adjustment knob with a slotted screw driver.
- \* Because the adjustment can be done in an analog manner, a value between two integers on the indicator can be set.
- \* It does not have a lock screw for locking the adjusted setting.

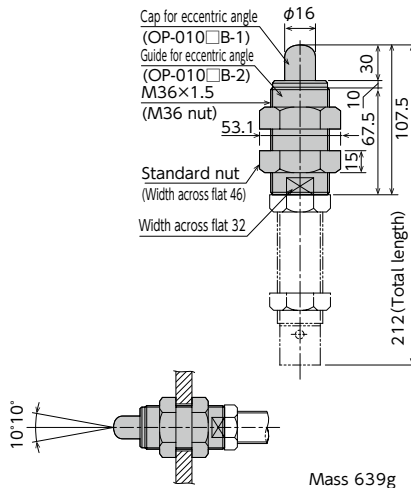
●Products specification might be changed without notice.

## Optional Parts

### Eccentric angle adaptor OP-010GB

Model
OP-010GB

- Screw the eccentric angle adaptor into the main unit until the cap for the eccentric angle and the piston rod form a tight connection. While maintaining this position, fasten the main unit's nut until secured.
- Use the eccentric angle adaptor when the eccentric angle is 2.5° or larger.
- The main unit can also be used as a stopper.
- Use it with a capless soft absorber.
- The maximum operating eccentric angle with an eccentric angle adaptor is ±10°.
- The caps and the guides for inclined use are not unbundled.

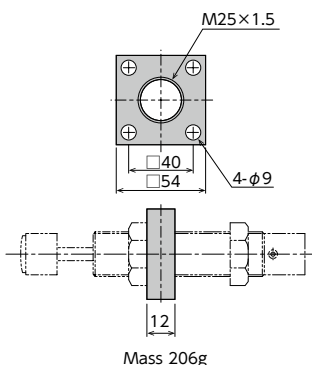


Note) Material of cap for eccentric angle: Metal

### Square flange OP-040GB

Model
OP-040GB

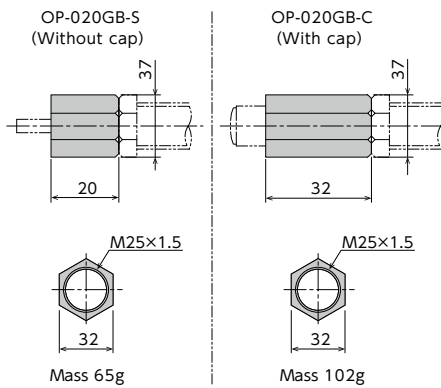
- Once the attachment site is determined, use the main unit's nut to securely fasten in place.



### Stopper nut OP-020GB-□

Model
OP-020GB-S
OP-020GB-C

- Adjust so that it stops 1mm before the stroke end, and fasten with the main unit's nut until secured.

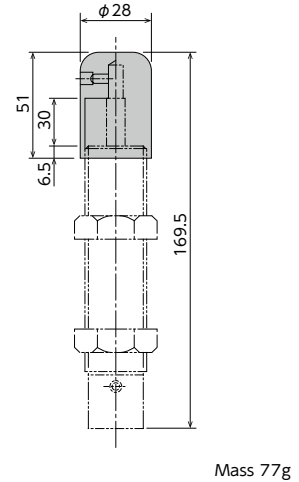


Note) When attaching, make sure that the side without a bearing chamfer is the impact surface.

### Liquid-proof cap F□-2530G□-C-060

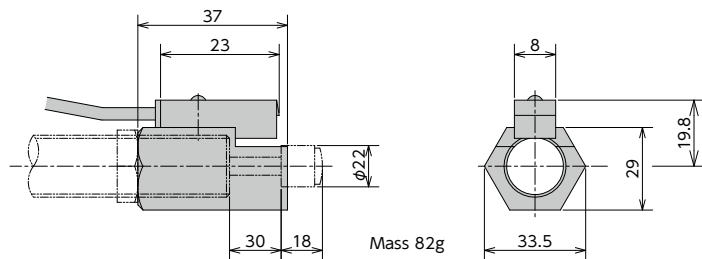
Model
FA-2530G1-C-060
FA-2530G2-C-060
FA-2530G3-C-060
FA-2530SL-C-060

- A drip-proof cap is fitted on the unit on delivery.
- Liquid-proof caps are not sold separately.
- Ensure that the cap is facing upward. If the cap is facing sideways or downward, it cannot provide an effective means for liquid proofing.
- FA-2530G□-C-060
  - The model number 1, 2, or 3 is inserted in the □ of X□.



### Holder with a switch OP-030GB-□

Model
OP-032GB



- Although a holder with a switch can be ordered on its own, we strongly recommend ordering one with the main unit. Please include the main unit's model number when placing an order.
- For switch specifications and precautions for use, please refer to page 23.

Standard nuts are sold separately as well.

Applicable Models	Model
FA-2530G	M25 nut
FA-2530SL	